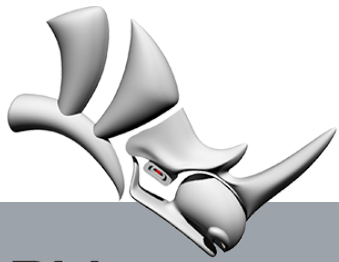


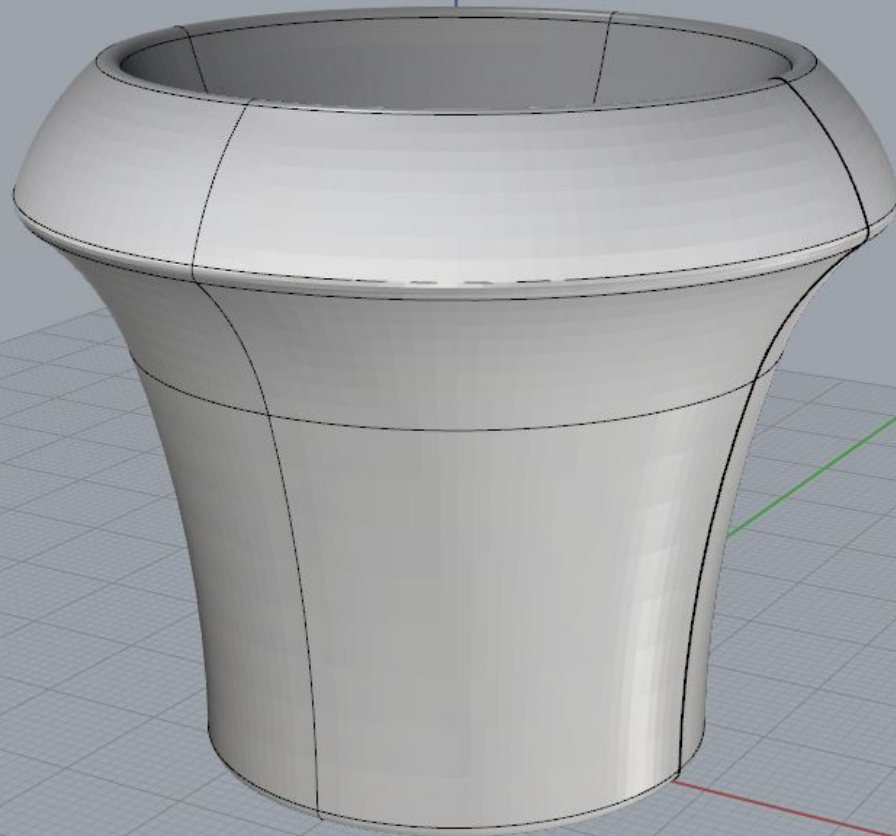
Vincent
ASSEZ
Designer
produits

L'impression 3D a-t-elle changé mon modus operandi ?





Rhinoceros



in-forme





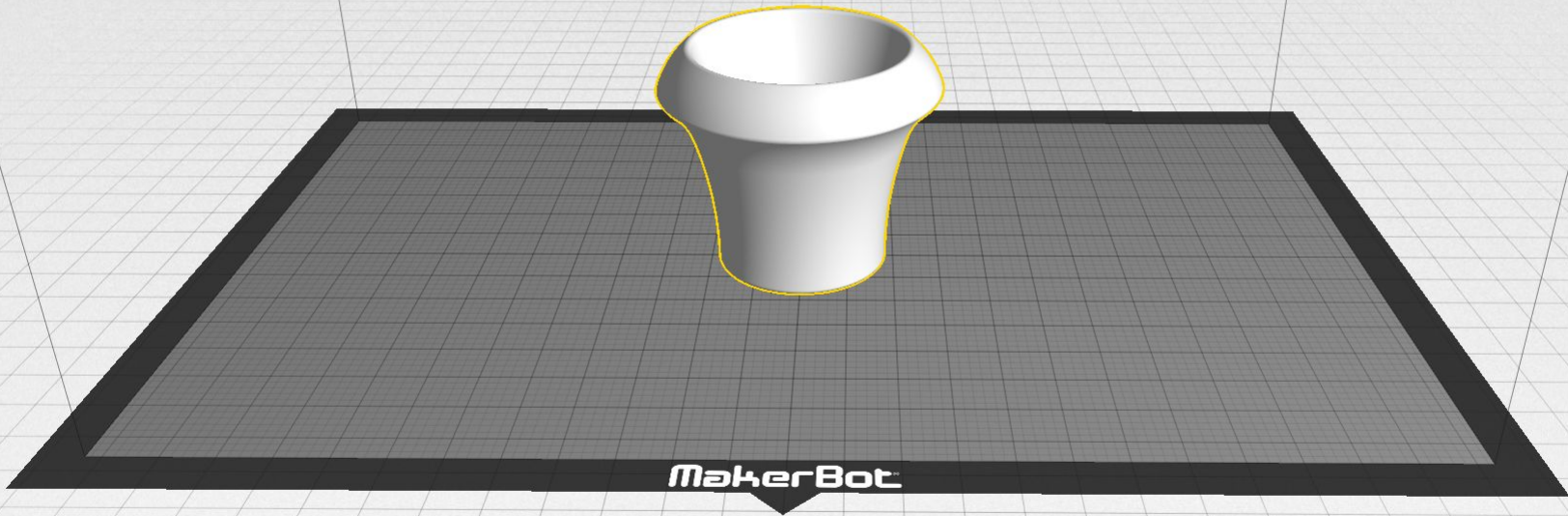
MakerWare ? x



MakerWare™ is lovingly developed by the MakerBot Software Team in Brooklyn, NY.
Version 2.4.1.62
©2012-2013 MakerBot® Industries, LLC. All rights reserved.

MakerBot®, Digitizer™, The Replicator®, MakerWare™, MakerBot Slicer™, Conveyor™, The MakerBot 'M' logo, and MakerWare 'MW' logo are registered trademarks or trademarks of MakerBot Industries, LLC.

Close

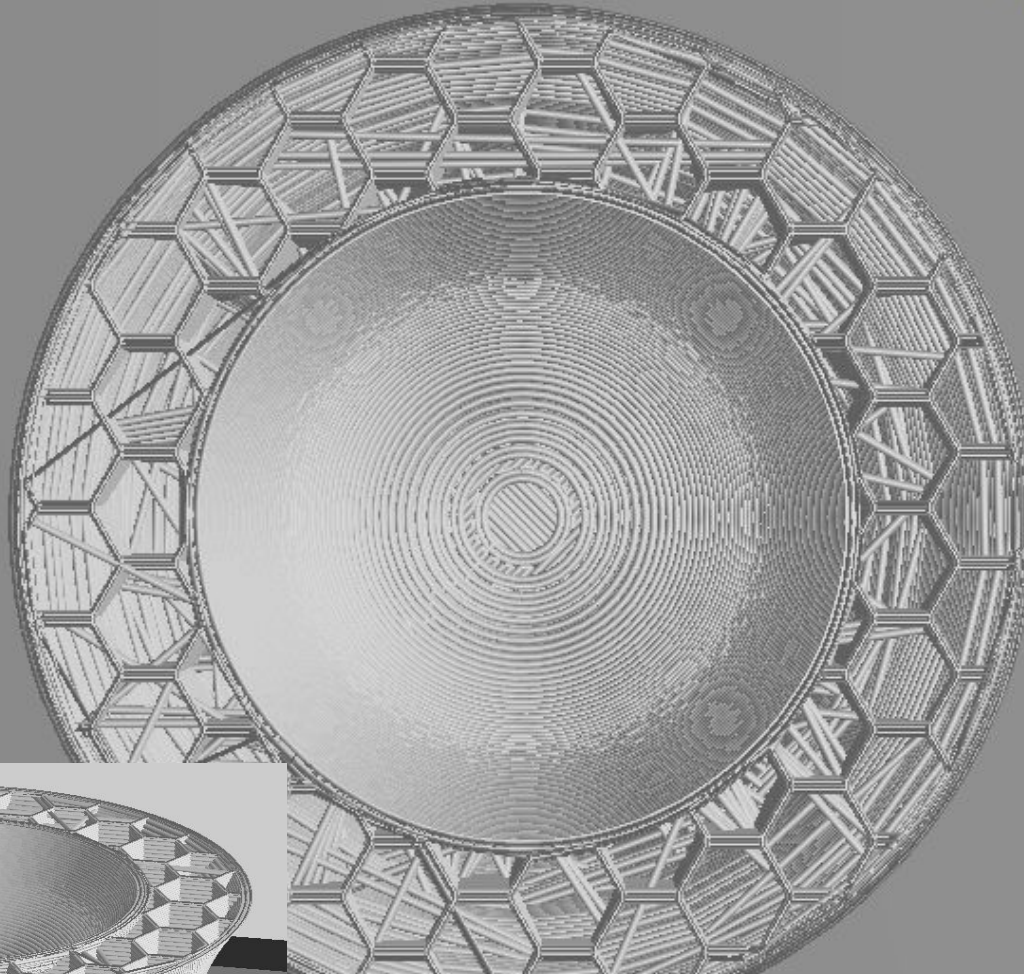


View from top

Material Use: About 21g (0.05lb)

Print Time: About 95 minutes

Layer 191



247 tranches | $\pm 21g$ de fil | temps d'impression : 95'

Show Travel Moves

Cancel

Are you happy with this preview?

Export!



in-forme



in-forme